



COMPACT TURBOMOLECULAR
PUMPING SYSTEMS
PACKTEL 1025



Packtel 1025

Packtel 1025

A compact, easy to use, plug and play pumping system. Ideal for installation on a workbench or below a vacuum chamber. Accomodate on 7 or 30 l/s turbomolecular pump and a 5 m³/h Pascal rotary vane pump, plus the options and accessories of the 1025 family. The Packtel 1025 is a compact, robust pumping system that pumps from atmosphere down to 10⁻⁵/10⁻⁸ mbar. The system is available in several versions to meet the application requirements of the customer.



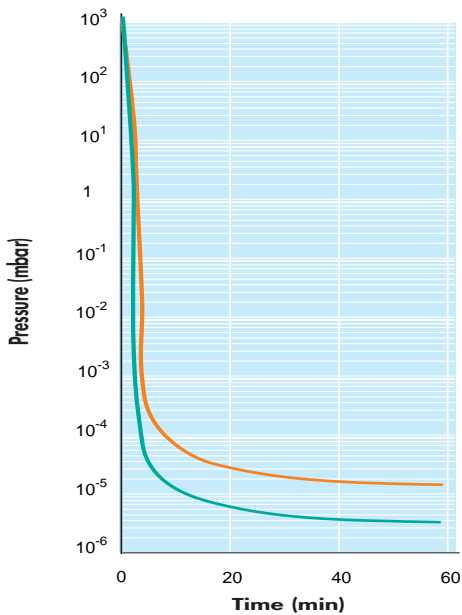
Applications

The Packtel 1025 is recommended for low vacuum applications, such as:

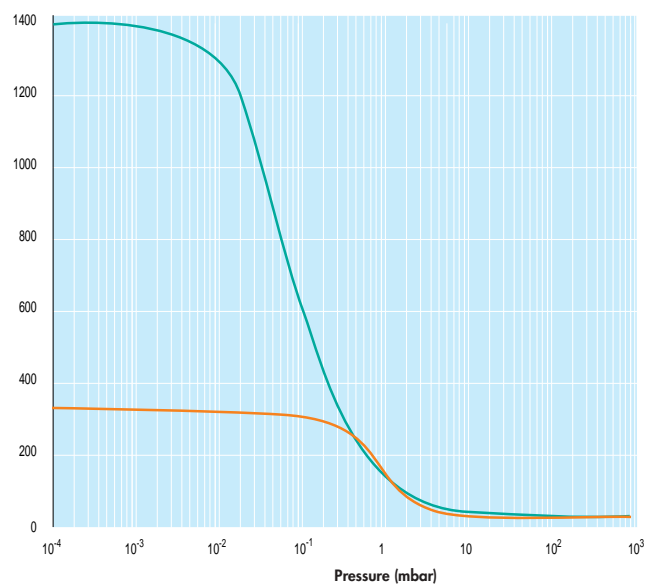
- Backing of turbopumps
- Load-lock pumping
- Vacuum process technology
- Vacuum calibration stations
- Scientific instrumentation
- Ion pump regeneration
- Cryo pump regeneration
- Small sputtering equipment
- Electron-beam welding
- Particle accelerators
- Gas backfilling operations

Technical data

Pump down curves on a 30 l volume of N₂



Pumping speed / Inlet pressure (N₂)

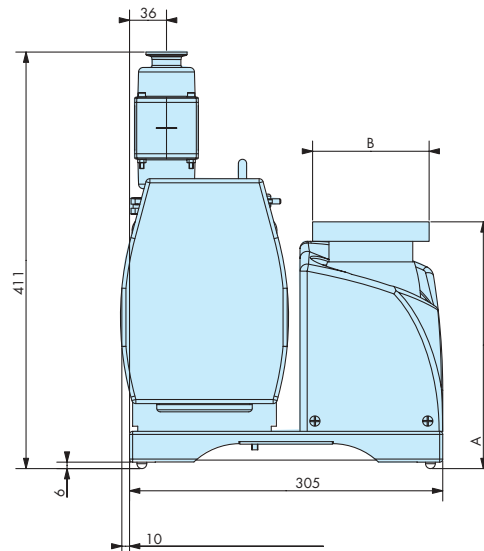
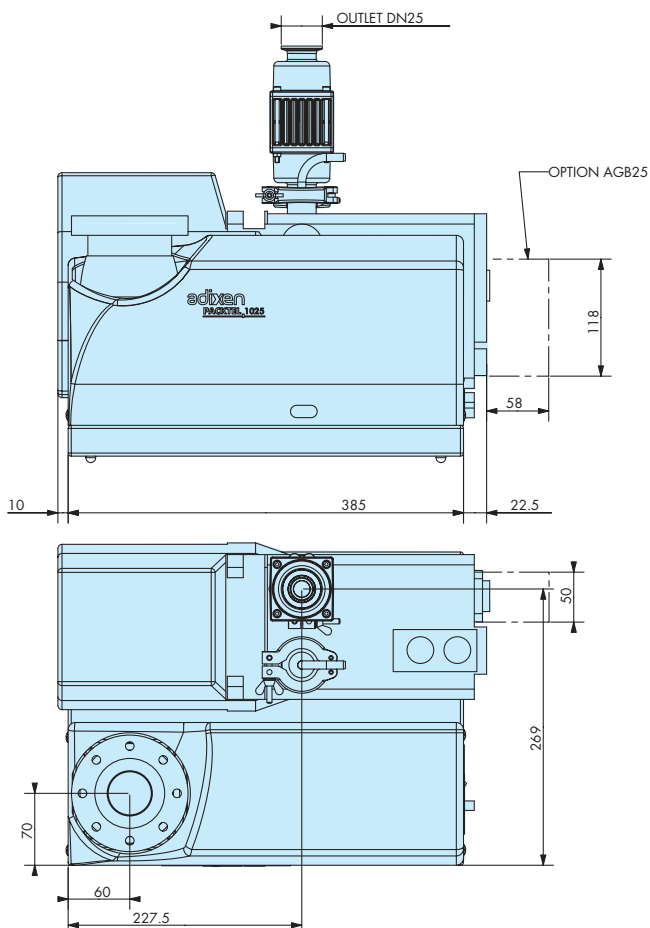


— MDP 5011 and RVP 2005 — ATH31 and RVP 2005

Technical data

High vacuum pump		ATH 31 / ATH 31 CF-F	MDP 5011
Primary pump		2005 SD	2005 SD
Ultimate pressure	(mbar)	10^8	10^6
Pumping speed	(l/s)		
	N ₂	30	7.5
	He	14	4
	H ₂	6	3
Primary pumping speed, 60 Hz	(m ³ /h)	5	5
Maximum ambient temperature	(°C)	40	40
Start-up time	(min.)	2	2
Inlet flange		ISO-K 63 or CF-F 63	ISO-K 63

Dimensions

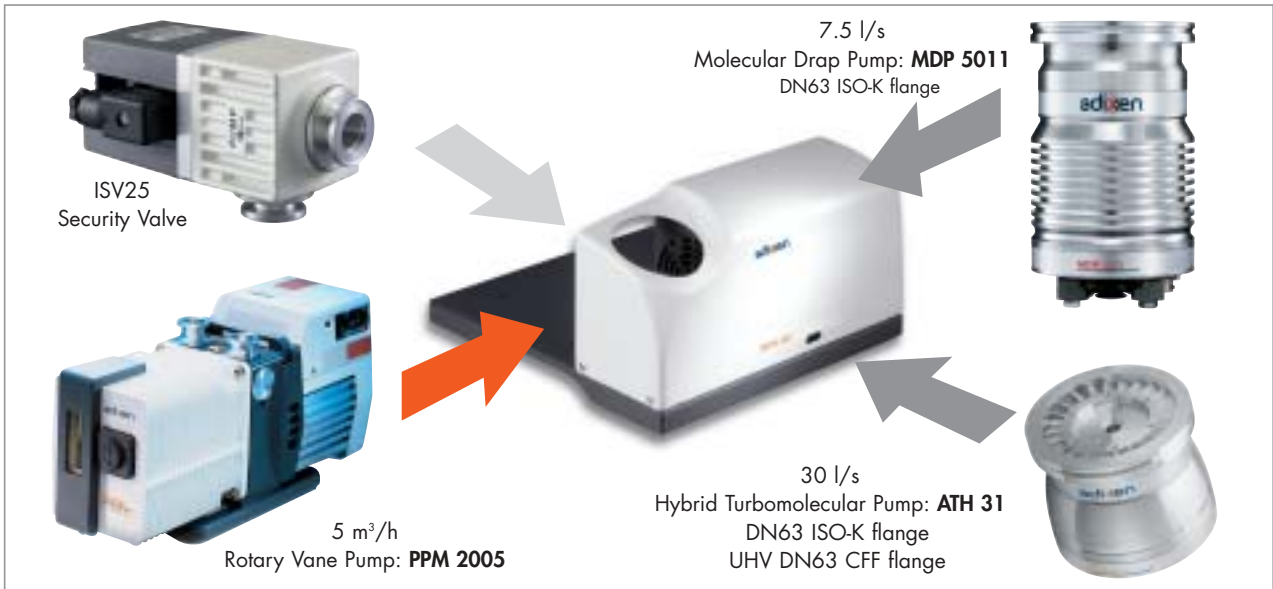


	A	B
Inlet flange	mm	mm
ATH 31: DN 63 ISO-K	240	95
ATH 31: DN 63 CF-F	240	113
MDP 5011: DN 63 ISO-K	265	95

Dimensions without oil mist eliminator (Oil mist eliminator can be mounted horizontally or vertically).

Packtel 1025

Versions



MDP 5011/ATH 31 and RVP2005

Options

The Packtel 1025 options include:

- An interface board which allows remote operation including start, stop and monitoring of the pumping system status.
- Automatic gas ballast which improves the pumping of condensable gas inside the pumping group.
- Safety valve. ISV25 which isolate the turbo pump and put the RVP at atmosphere pressure.

Note: Options must be incorporated at time of original order.



ISV25 - Security Valve



Interface board



Automatic gas ballast

Accessories for Packtel 1025

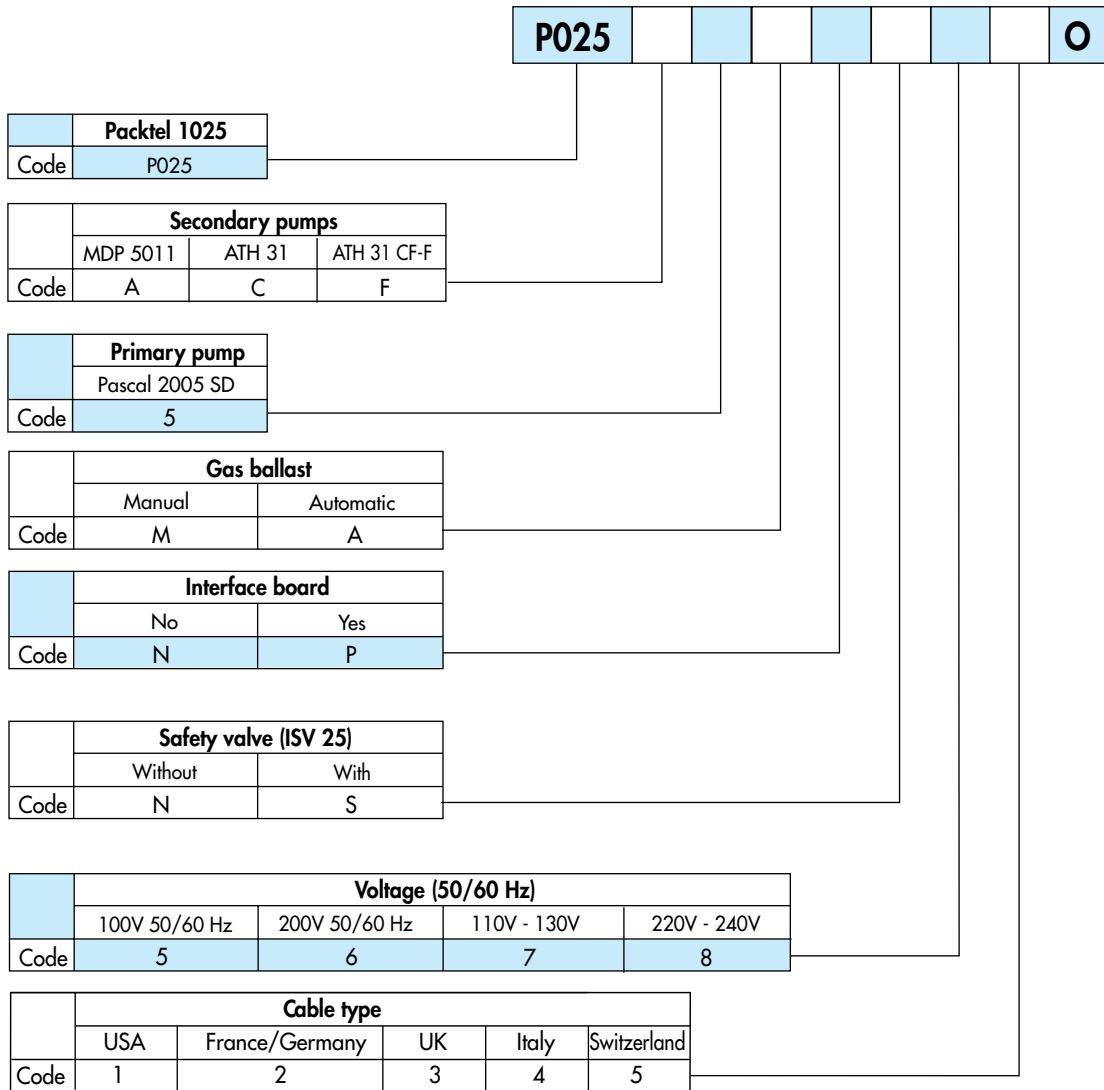
The following accessories are available for the Packtel 1025. In particular, an inlet screen should be used to prevent foreign material from entering the pump.

Description	P/N
Inlet screen (DN 63 ISO-K) - 2.5 mm mesh size	102565
Dense mesh filter (DN 63 ISO-K) - 20 µm mesh size	102668
Aluminium centering ring (DN 63) special for MDP 5011 (without o-Ring)	063212



Standard and dense mesh inlet screen

Packtel 1025: ordering information



For example
You need ...

Secondary pumps	A
MDP 5011	
Primary pump	5
Gas ballast	
automatic	A
Interface board	P
Without	
safety valve	N
Voltage	
200 V - 50/60 Hz	6
UK	3

= **P025 A 5 A P N 6 3 0**

CHINA

Alcatel Vacuum Technology Shanghai
Tel: (86) 21 5027 0628
Fax: (86) 21 3895 3815

FRANCE

Alcatel Vacuum Technology France
Tel: 33 (0) 4 50 65 77 77
Fax: 33 (0) 4 50 65 77 89

GERMANY

Alcatel Hochvakuum Technik GmbH
Tel: (49) 9342 96 10 0
Fax: (49) 9342 96 10 30

ITALY

Alcatel Vacuum Systems S.p.a.
Tel: (39) 039 686 3855
Fax: (39) 039 667 125

JAPAN

Alcatel Japan
Tel: (81) 44 797 5920
Fax: (81) 44 797 5932

KOREA

Alcatel Vacuum Technology Korea
Tel: (82) 2 409 6277
Fax: (82) 2 409 6279

NETHERLANDS

Alcatel Vacuum Technology
Netherlands
Tel: (31) 306 35 13 60
Fax: (31) 306 35 12 21

SINGAPORE

Alcatel Singapore Pte Ltd
Tel: (65) 6254 0828
Fax: (65) 6254 7018

TAIWAN

Alcatel Vacuum Technology Taiwan
Tel: (886) 3 5599 230
Fax: (886) 3 5599 231

UNITED KINGDOM

Alcatel Vacuum Technology (U.K.)
Tel: (44) 1 506 418 000
Fax: (44) 1 506 418 002

USA

Alcatel Vacuum Products
Tel: (1) 781 331 4200
Fax: (1) 781 331 4230



Alcatel Vacuum Technology

98 Avenue de Brogny - BP 2069 - 74009 Annecy Cedex - France - Tel.: 33 (0) 4 50 65 77 77 - Fax: 33 (0) 4 50 65 77 89

www.adixen.com